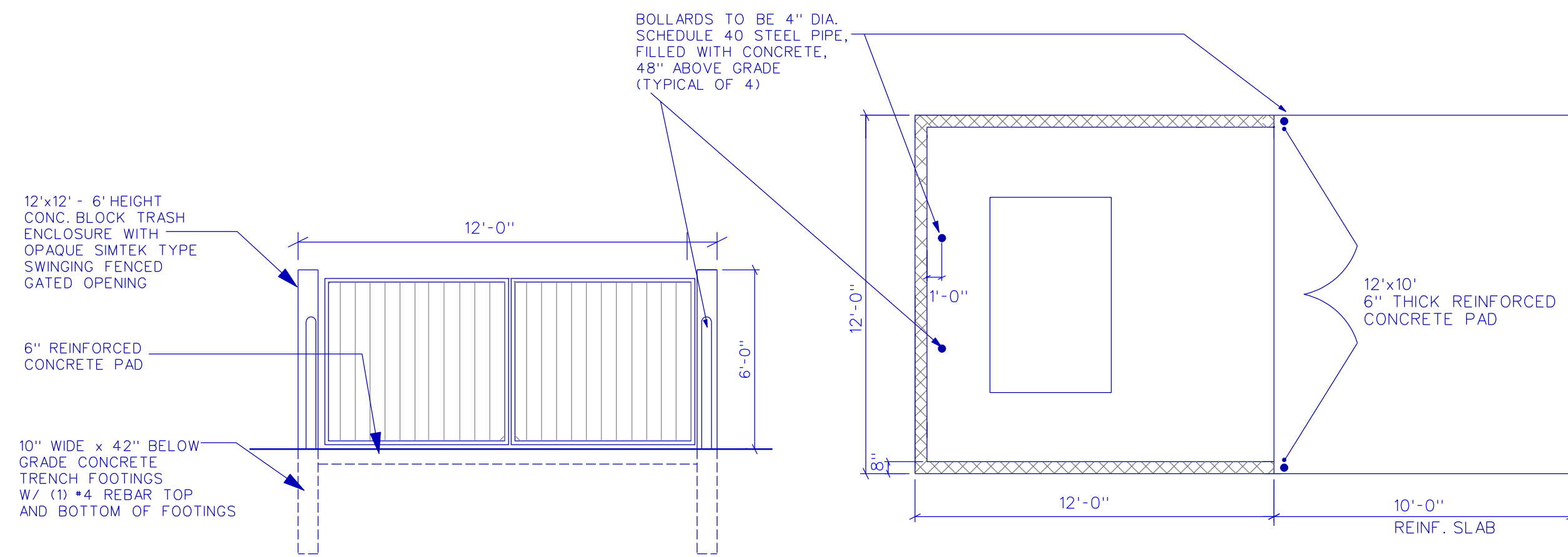


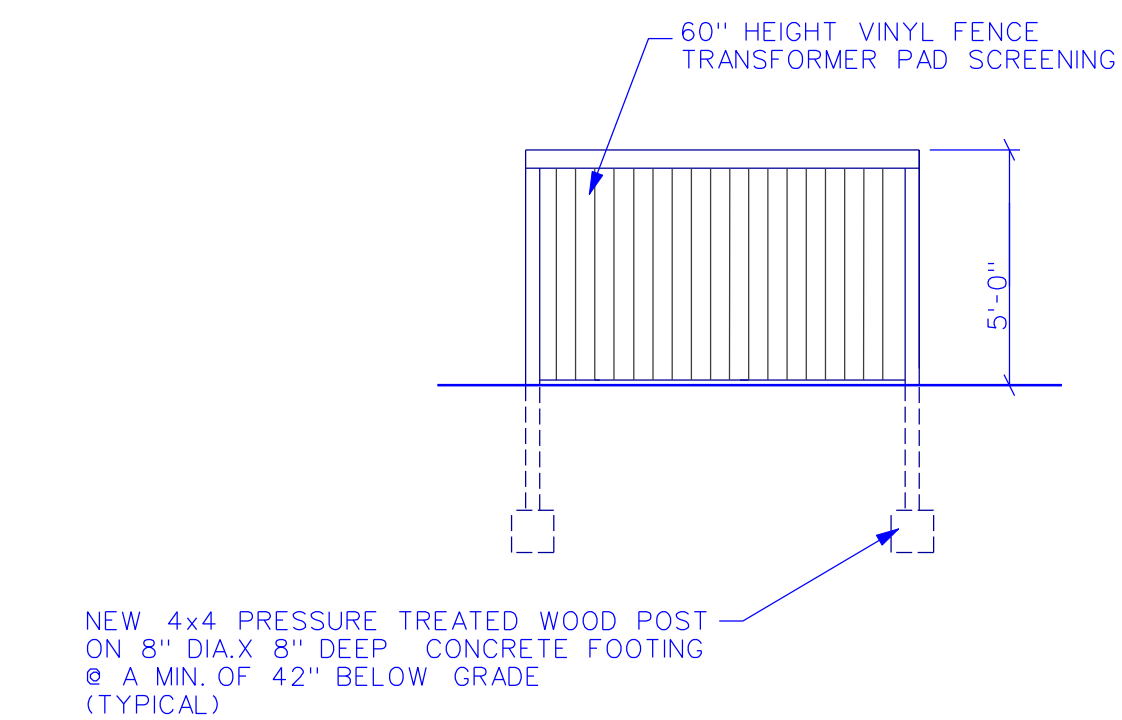
W Ground Sign
(LOCATED ON SITE PLAN) 1/4" = 1'-0"

W2 Front Wall Detail
(LOCATED ON SITE PLAN) 1/4" = 1'-0"

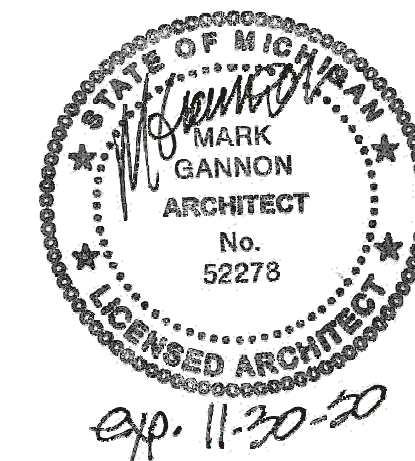


T1 Dumpster Enclosure Detail
(LOCATED ON SITE PLAN) 1/4" = 1'-0"

T2 Dumpster Enclosure Plan
(LOCATED ON SITE PLAN) 1/4" = 1'-0"



TE Transformer Enclosure Elevation Detail
(LOCATED ON SITE PLAN) 1/4" = 1'-0"



Applicant:
HILLEMANN CONSTRUCTION COMPANY
Joe@HillemannConstruction.com 734-478-4294
2370 E. Stadium Blvd. #635
Ann Arbor, MI 48104

Architects:
Gannon Architecture LLC
2041 N. Arbor Way Dr. #73
Canton, MI 48188
ph: 734-709-7568
mgannon_4@msn.com

Project & Owner:
Site Plan Review for:
Aviana Self-Storage
406 West Main Street
Stockbridge, MI 49285
734-478-4294

Sheet Title:
Site Details

Date: 12-12-14
Rev. 1 8-3-20

Sheet Number:
S-2